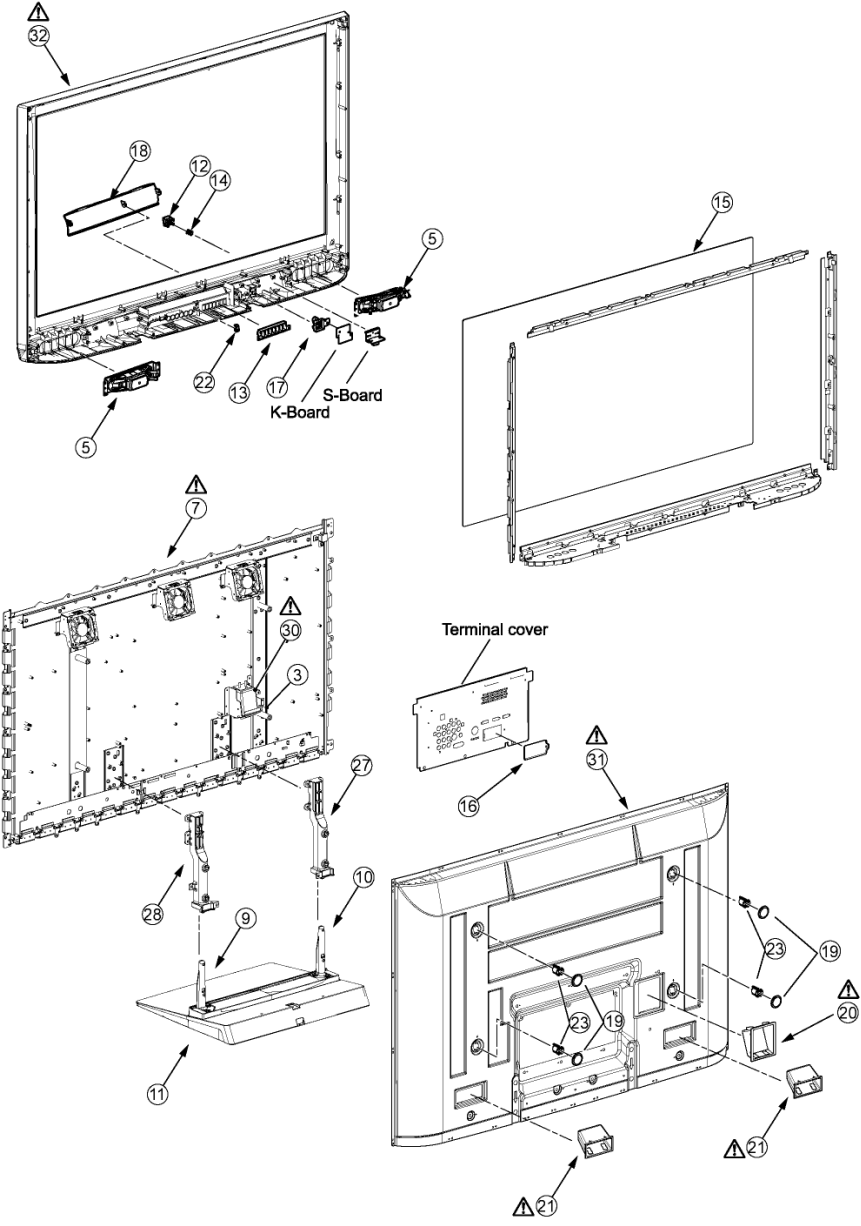


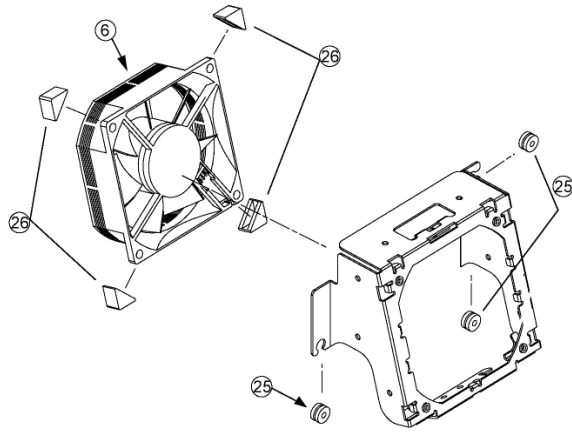
13 Exploded View and Replacement Parts List

13.1. Exploded View and Mechanical Replacement Parts List

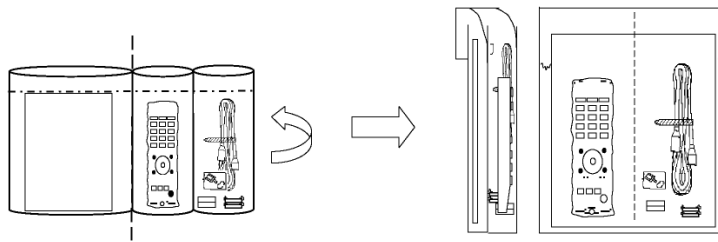
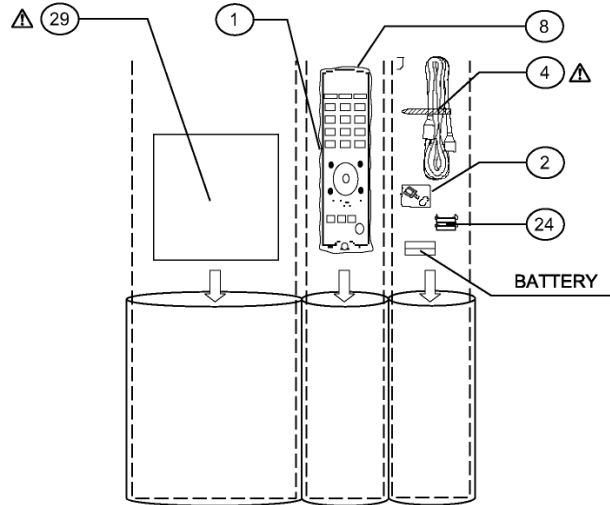
13.1.1. Exploded View











13.1.2. Fan part location



13.1.3. Accessories



| Safety | Ref. No. | Part No. | Part Name & Description | Q'ty | Remarks |
|---|----------|---------------|-------------------------|------|---------|
| | 1 | 10030-0042000 | BATTERY COVER | 1 | PAVCA |
| | 2 | K1RYYYA00016 | F-TYPE (5C) | 1 | |
| | 3 | K2AHYH000018 | AC_INLET | 1 | PAVCA |
|  | 4 | K2CG3YY00029 | AC CORD | 1 | PAVCA |
| | 5 | L0AA16C000001 | SPEAKER | 2 | PAVCA |
| | 6 | L6FAYYYH0050 | FAN(80MM-T25) | 1 | |
|  | 7 | MD50F11A1J | PLASMA DISPLAY PANEL | 1 | |
| | 8 | N2QAYB000221 | REMOTE CONTROL | 1 | PAVCA |
| | 9 | TBLA3614 | STAND POLE RIGHT | 1 | |
| | 10 | TBLA3615 | STAND POLE LEFT | 1 | |
| | 11 | TBLX0037 | PEDESTAL STAND | 1 | |
| | 12 | TBX2AA4602 | POWER BUTTON | 1 | PAVCA |
| | 13 | TBX2AA4702 | CONTROL BUTTON | 1 | PAVCA |
| | 14 | TES2AA0221 | POWER BUTTON SPRING | 1 | PAVCA |
| | | THEJ006J | SCREW | 2 | |
| | | THEJ016J | SCREW(AC INRET:2) | 2 | |
| | | THEL037N | SCREW | 30 | |
| | | THEL0429 | SCREW | 17 | |
| | | THEL052Z | SCREW (BC TOP:4) | 5 | |
| | | THEL060N | SCREW(STAND-TV) | 4 | |
| | | THTD013N | SCREW | 6 | |
| | | THTF011N | SCREW | 56 | |
| | 15 | TKGA5431S | FRONT GLASS | 1 | PAVCA |
| | 16 | TKK2AA7701 | ADJUSTMENT COVER | 1 | PAVCA |
| | 17 | TKK2AA8301 | LED PANEL | 1 | PAVCA |
| | | TKK2AA8902 | SIDE COVER | 2 | PAVCA |
| | 18 | TKP2AA11302 | DOOR | 1 | PAVCA |
| | 19 | TKP2AA1932 | M8 SPACER CAP | 4 | PAVCA |
| | | TKP2AA7702 | SPEAKER PANEL LEFT | 1 | PAVCA |
| | | TKP2AA7802 | SPEAKER PANEL RIGHT | 1 | PAVCA |
|  | 20 | TKP2AA7901 | INLET COVER | 1 | PAVCA |
|  | 21 | TKR2AA00161 | REAR COVER HANDLE | 2 | PAVCA |
| | 22 | TMM2AE0591 | DOOR SPRING | 1 | PAVCA |
| | 23 | TMM2AX0111 | M8 SPACER | 4 | PAVCA |
| | | TMM6428-1 | CLAMPER | 1 | |
| | | TMM7464-2 | CLAMPER | 1 | |
| | | TMME088 | CLAMPER | 3 | |
| | | TMME199 | CLAMPER | 1 | |
| | | TMME260 | CLAMPER | 1 | |
| | | TMME287 | CLAMPER | 14 | |
| | 24 | TMME289 | CLAMPER | 2 | |
| | | TMME292 | CLAMPER | 16 | |
| | 25 | TMMJ068 | RUBBER (FAN) | 6 | |

| Safety | Ref. No. | Part No. | Part Name & Description | Q'ty | Remarks |
|---|----------|--------------|---------------------------------|------|---------|
| | 26 | TMMJ082 | SPONGE (FAN CORNER) | 8 | |
| | | TMXX045 | AC CORD HOLDER | 1 | |
| | 27 | TMZX5135 | STAND BRACKET LEFT | 1 | PAVCA |
| | 28 | TMZX5136 | STAND BRACKET RIGHT | 1 | PAVCA |
| | | TPDI69487 | JOINT | 4 | |
| | | TPEB331-1 | BAG (PEDESTAL STAND) | 1 | |
| | | TPEB340 | SCREW BAG (STAND-TV) | 1 | |
| | | TPEH273 | TOP PROTECT SHEET | 2 | |
|  | 29 | TQB2AA0777 | INSTRUCTION BOOK (ENG/FRE/SPA) | 1 | PAVCA |
| | | TQZH983 | SCREW USE HANDBILL | 1 | |
| | | TSXL519 | CABLE (C10-C20/SU11-SD11) | 2 | |
| | | TSXL659 | CABLE (SC20-D20) | 1 | |
| | | TSXL660 | CABLE (D31-C11/D32-C21/D33-C22) | 3 | |
| | | TSXL661 | CABLE (C26-C36) | 1 | |
|  | 30 | TXALK01RMTU | AC INLET ASSY | 1 | PAVCA |
|  | 31 | TXFKU13TSEB | REAR COVER | 1 | PAVCA |
|  | 32 | TXFKY01RMTUB | CABINET ASSY | 1 | PAVCA |
| | | TXJA12RNTU | SPEAKER LEAD (A12-SPL/SPR) | 1 | PAVCA |
| | | TXJSWRRMTU | SPEAKER LEAD (SP-SPR/L) | 2 | PAVCA |
| | | XSB3+6FJ | SCREW | 2 | |
| | | XTB4+12GFJ | SCREW | 42 | |
| | | XTB4+12GFJK | SCREW | 19 | |
| | | XTB4+12GFN | TAPS SCREW | 4 | |
| | | XTS4+12GFN | SCREW | 2 | |
| | | XTW3+10TFJ | SCREW | 7 | |
| | | XYN3+F8FJ | SCREW | 22 | |
| | | XYN3+J12FJ | SCREW | 45 | |
| | | XYN3+J8FJ | SCREW | 2 | |
| | | XYN4+E8FJ | SCREW | 1 | |
| | | XYN4+F10FJ | SCREW | 16 | |
| | | XYN5+C15FJ | SCREW | 8 | |
| | | XYN5+F18FN | SCREW (STAND POLE) | 4 | |
| | | XZB17X19C03 | POLY BAG (STAND POLE) | 1 | |