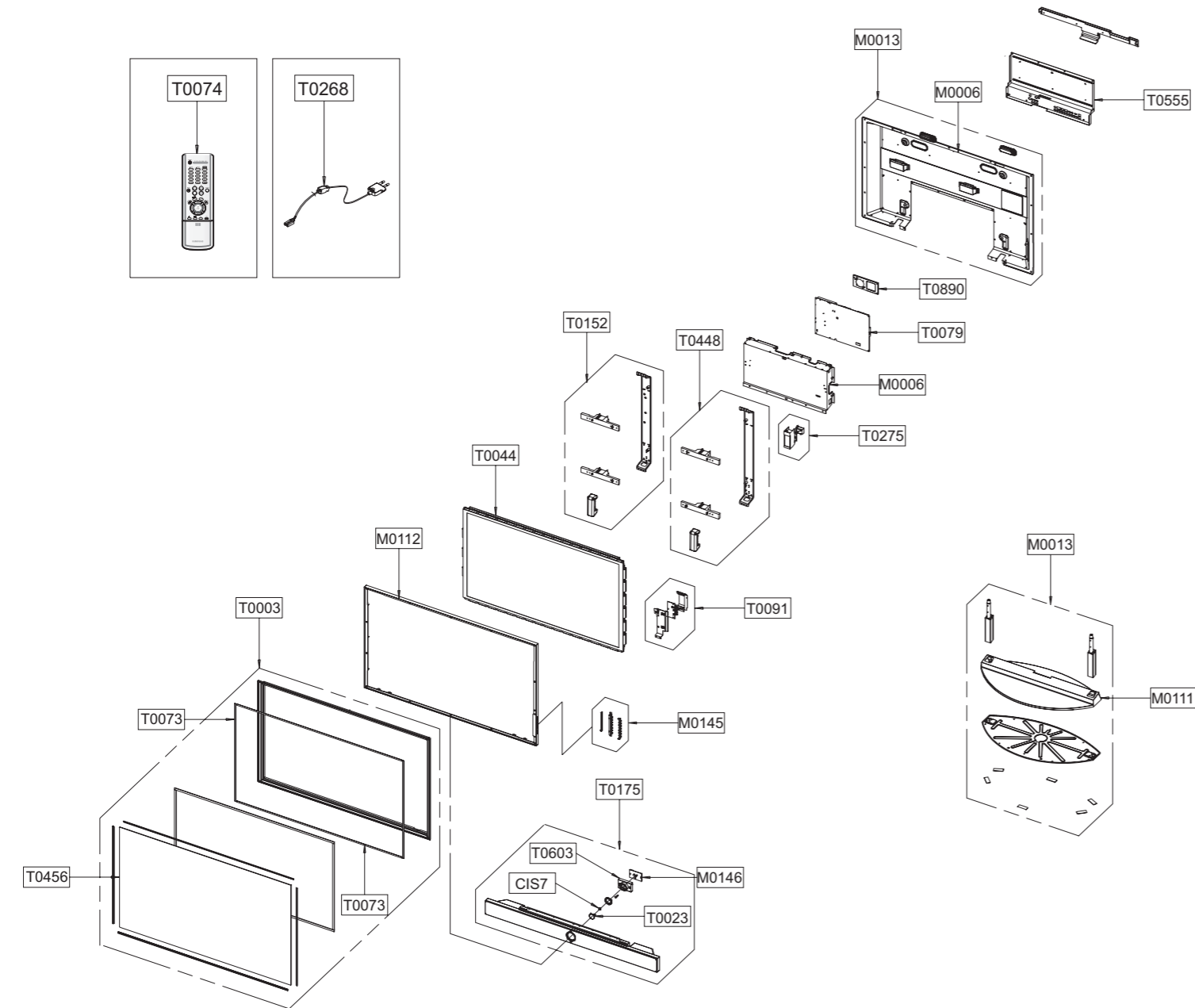


## 4. Exploded View & Part List

### 4-1 HPR4272X/XAA

You can search for the updated part code through ITSELF web site.

URL: <http://itself.sec.samsung.co.kr>



Loc.No.	Code No.	Description	Specification	Q'ty	SA/SNA	Remark
CIS7	AA61-60003B	SPRING ETC-CS	-,SUS304,-,-,OD11.2,N7,OD1	1	S.N.A	
M0006	BN63-01633A	COVER-REAR	SPD-42P5HD,SECC,T0.5	1	S.N.A	
M0006	BN63-01634B	COVER-REAR SUB	SP-R4232,SECC,T1.0	1	S.N.A	
M0013	BN96-01789C	ASSY STAND P-BASE	42P5H(STRAUSS),XAA,HIP	1	S.N.A	
M0013	BN96-01786A	ASSY COVER P-REAR	SPD-42P5HD	1	S.A	
M0111	BN63-01813N	COVER-STAND	42P5H,XAA,HIPS,T3.5,HB,BK07,	1	S.N.A	
M0112	BN63-01631F	COVER-FRONT	42P5,HIPS,V0,XAA,BKN1134	1	S.N.A	
M0145	BN96-02049B	ASSY BOARD P-FUNCTION	SCHUBERT,CT5000-35	1	S.N.A	
M0146	BN96-02050A	ASSY BOARD P-POWER & IR	SCHUBERT,CT5000-	1	S.A	
T0003	BN96-01773A	ASSY COVER P-FRONT	42P5,42S5,EXPORT	1	S.A	
T0023	BN64-00336A	KNOB POWER	42P5,PC,VIOLET	1	S.N.A	
T0044	BN96-01886A	ASSY PDP MODULE P	M1,SPD-42P5HD,D71A,V4,	1	S.A	
T0073	AA63-01078A	GASKET-EMI	42P5,T1.5,7,1006	2	S.N.A	
T0073	AA63-01079A	GASKET-EMI	42P5,T1.5,W7,L614.5	2	S.N.A	
T0074	BN59-00462A	REMOCON	STRAUSS,TM76A,200*54*30,ZILOG,54	1	S.A	
T0079	BN94-00694A	ASSY PCB MISC-MAIN	HPR4272X/XAA,D71A,SCH	1	S.A	
T0091	BN94-00732A	ASSY PCB MISC-SIDE AV	HPR4272X,D71A,SCH	1	S.N.A	
T0152	BN96-01774A	ASSY BRACKET P-WALL RIGHT	SPD-42P5HD,SEC	1	S.N.A	
T0175	BN96-01737A	ASSY SPEAKER P	8ohm,P5,42,15W	1	S.N.A	
T0268	3903-000144	CBF-POWER CORD	DT,US,BP3/Y,U(IEC C13-RA)	1	S.A	
T0275	BN96-02369A	ASSY MISC P-INLET	HP-R4252,STRAUSS,DOCUM	1	S.A	
T0448	BN96-01775A	ASSY BRACKET P-WALL LEFT	SPD-42P5HD,SECC	1	S.N.A	
T0456	BN67-00144A	GLASS-FILTER EMI	42P5,Mesh,48%,1053*639,	1	S.A	
T0555	BN96-01392B	ASSY MISC P-BRKT TERMINAL	42D5,XAA,SECC	1	S.N.A	
T0603	BN64-00338A	WINDOW-RMC	42P5,ACRYL,5%	1	S.N.A	
T0890	BN96-02046A	ASSY FAN P	1B1S,71X149.5X5mm,1.9,0.19,24	1	S.A	